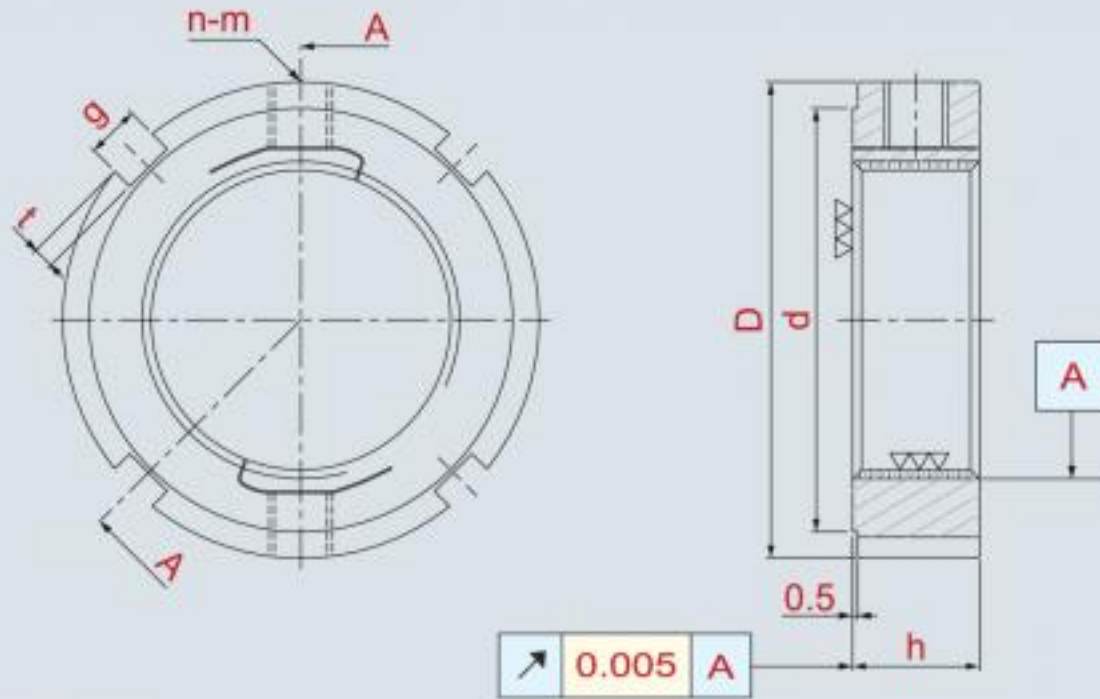




Precision Locknuts for Ballscrews, High Precision Spindles, Mechanical Transmitting Locking.

※ Screws included with this model.



YSLR

Thread	D	h	g	t	d	n-m	MAX. Nm
YSLR-M12 x 1.0P	24	12	4	2	19	2-M6	8
YSLR-M14 x 1.0P	26	12	4	2	21	2-M6	8
YSLR-M15 x 1.0P	30	12	4	2	25	2-M6	8
YSLR-M17 x 1.0P	32	12	4	2	27	2-M6	8
YSLR-M18 x 1.0P	32	12	4	2	27	2-M6	8
YSLR-M20 x 1.0P	35	12	4	2	30	2-M6	8
YSLR-M22 x 1.5P	35	12	4	2	30	2-M6	8
YSLR-M25 x 1.5P	40	12	5	2	35	2-M6	8
YSLR-M30 x 1.5P	45	12	5	2	40	2-M6	8
YSLR-M32 x 1.5P	46	12	5	2	41	2-M6	8
YSLR-M35 x 1.5P	50	12	5	2	45	2-M6	8
YSLR-M38 x 1.5P	52	12	5	2	47	2-M6	8
YSLR-M40 x 1.5P	55	12	6	2.5	49	2-M6	8
YSLR-M42 x 1.5P	56	12	6	2.5	50	2-M6	8
YSLR-M45 x 1.5P	60	12	6	2.5	54	2-M6	8
YSLR-M50 x 1.5P	65	12	6	2.5	59	2-M6	8
YSLR-M52 x 1.5P	67	12	6	2.5	61	2-M6	8
YSLR-M55 x 2.0P	75	15	7	3	68	2-M8	18
YSLR-M60 x 2.0P	80	15	7	3	73	2-M8	18

YSLR locknut uses steel's elasticity characteristics to securely fix the locking nut in the radial direction.

This type of nut is thinner and suited to narrow applications. The design is very simple and easy to lock. This type of nut is not suitable for high precision requirements as it is more difficult to assure the perpendicularity of the nut at this size.

- Material Composition: SCM440(42CrMo4)
- Hardness: HRC28°~32°
- Thread Accuracy: ISO 4H
- Manufacturing Method: High Precision Turning
- Run Out: 0.005mm



YSLR

Thread	D	h	g	t	d	n-m	MAX. Nm
YSLR-M65 x 2.0P	85	15	7	3	78	2-M8	18
YSLR-M70 x 2.0P	90	15	8	3.5	82	2-M8	18
YSLR-M75 x 2.0P	95	15	8	3.5	87	2-M8	18
YSLR-M80 x 2.0P	105	15	8	3.5	97	2-M8	18
YSLR-M85 x 2.0P	110	15	8	3.5	102	2-M8	18
YSLR-M90 x 2.0P	115	15	10	4	106	2-M8	18
YSLR-M95 x 2.0P	120	15	10	4	111	2-M8	18
YSLR-M100 x 2.0P	125	15	10	4	116	2-M8	18
YSLR-M105 x 2.0P	130	20	12	5	119	2-M8	18
YSLR-M110 x 2.0P	135	20	12	5	124	2-M8	18
YSLR-M115 x 2.0P	140	20	12	5	129	2-M8	18
YSLR-M120 x 2.0P	145	20	12	5	134	2-M8	18
YSLR-M125 x 2.0P	150	20	12	5	139	2-M8	18
YSLR-M130 x 2.0P	155	20	12	5	144	2-M8	18
YSLR-M135 x 2.0P	165	20	14	6	152	2-M10	35
YSLR-M140 x 2.0P	170	20	14	6	157	2-M10	35
YSLR-M145 x 2.0P	175	20	14	6	162	2-M10	35
YSLR-M150 x 2.0P	180	20	14	6	167	2-M10	35